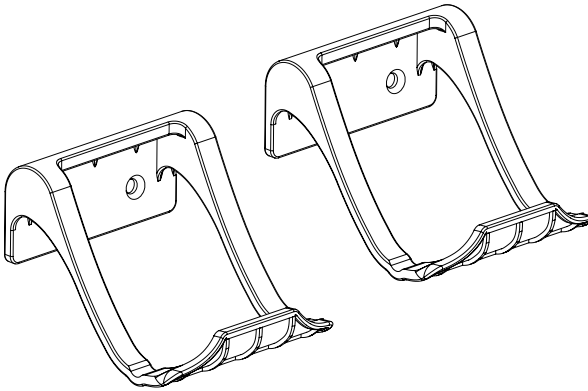




Video Game Controller Wall Mount (x2)

Instruction Manual



SKU: MOUNT-GM01C



Scan the QR code with your mobile device or follow the link for helpful videos and specifications related to this product.

<https://vivo-us.com/products/mount-gm01c>

GET IN TOUCH | Monday-Friday from 7:00am-7:00pm CST



help@vivo-us.com



www.vivo-us.com
Chat live with an agent!



309-278-5303

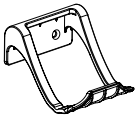
WARNING!

If you do not understand these directions, or if you have any doubts about the safety of the installation, please call a qualified technician. Check carefully to make sure there are no missing or defective parts. Improper installation may cause damage or serious injury. Do not use this product for any purpose that is not explicitly specified in this manual. Do not exceed weight capacity. We cannot be liable for damage or injury caused by improper mounting, incorrect assembly or inappropriate use.

WARNING: CHOKING HAZARD

SMALL PARTS - NOT FOR CHILDREN UNDER 3 YEARS. ADULT SUPERVISION IS REQUIRED.

PACKAGE CONTENTS



A (x2)
Controller Mount



S-A (x4)
Drywall Anchor



S-B (x4)
ST5x30mm Screw

NOTE: SOME HARDWARE MAY NOT BE USED

TOOLS NEEDED



Drill



Pencil



Level



Stud Finder



**Phillips
Screwdriver**

DO NOT EXCEED WEIGHT CAPACITY.
Failure to do so may result in serious injury.

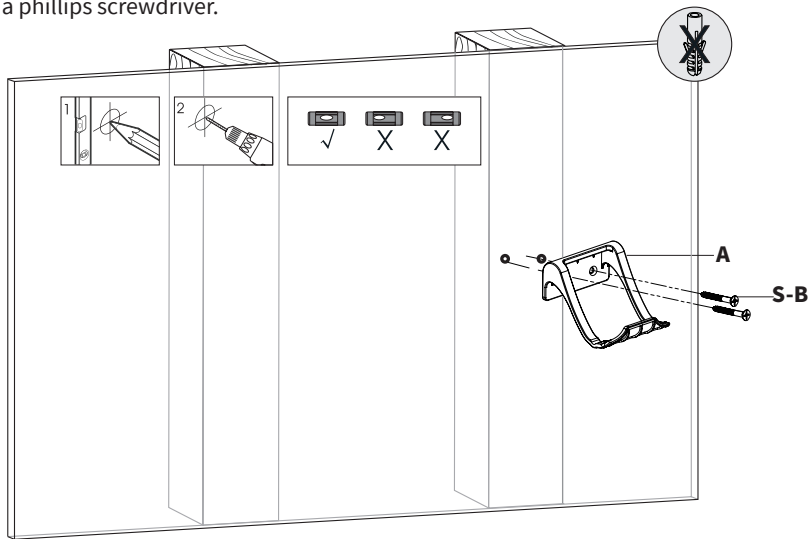


ASSEMBLY STEPS

STEP 1

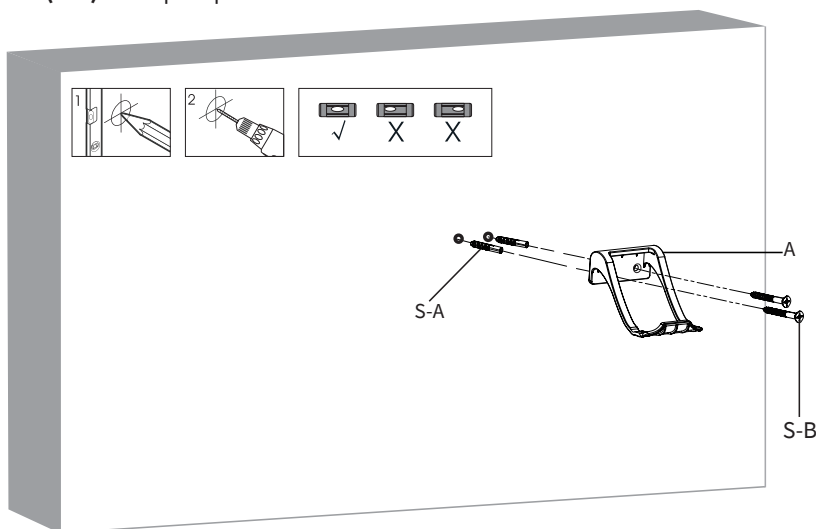
OPTION A: Wood Stud Installation

Place Controller Mount (A) against the wall and mark drilling locations with a pencil. Use of a stud finder and level is highly recommended. Drill 1.2" (30mm) deep holes using a 1/8" (3mm) bit, then attach Controller Mount (A) to wall using ST5x30mm Screws (S-B) and a phillips screwdriver.



OPTION B: Drywall

Place Controller Mount (A) against the wall and mark drilling locations with a pencil. Use of a level is highly recommended. Drill 1.4" (35mm) deep holes using a 5/16" (8mm) bit, press Drywall Anchors (S-A) into holes, then attach Controller Mount (A) to wall using ST5x30mm Screws (S-B) and a phillips screwdriver.





Open **Monday - Friday 7:00am - 7:00pm** CST,
our dedicated support team can offer immediate assistance with rapid response times. If any parts are received damaged or defective, please contact us. We are happy to replace parts to ensure you have a fully functioning product.



309-278-5303

AVG. RESOLUTION TIME (*within office hrs*): **5M 4S**



www.vivo-us.com
Chat live with an agent!

AVG. RESOLUTION TIME (*within office hrs*): **< 15 M**



help@vivo-us.com

AVG. RESPONSE TIME (*within office hrs*): **1HR 8M**

- 23% within < 15m
- 38% within < 30m
- 61% within < 1hr
- 83% within < 2hr
- 92% within < 3hr